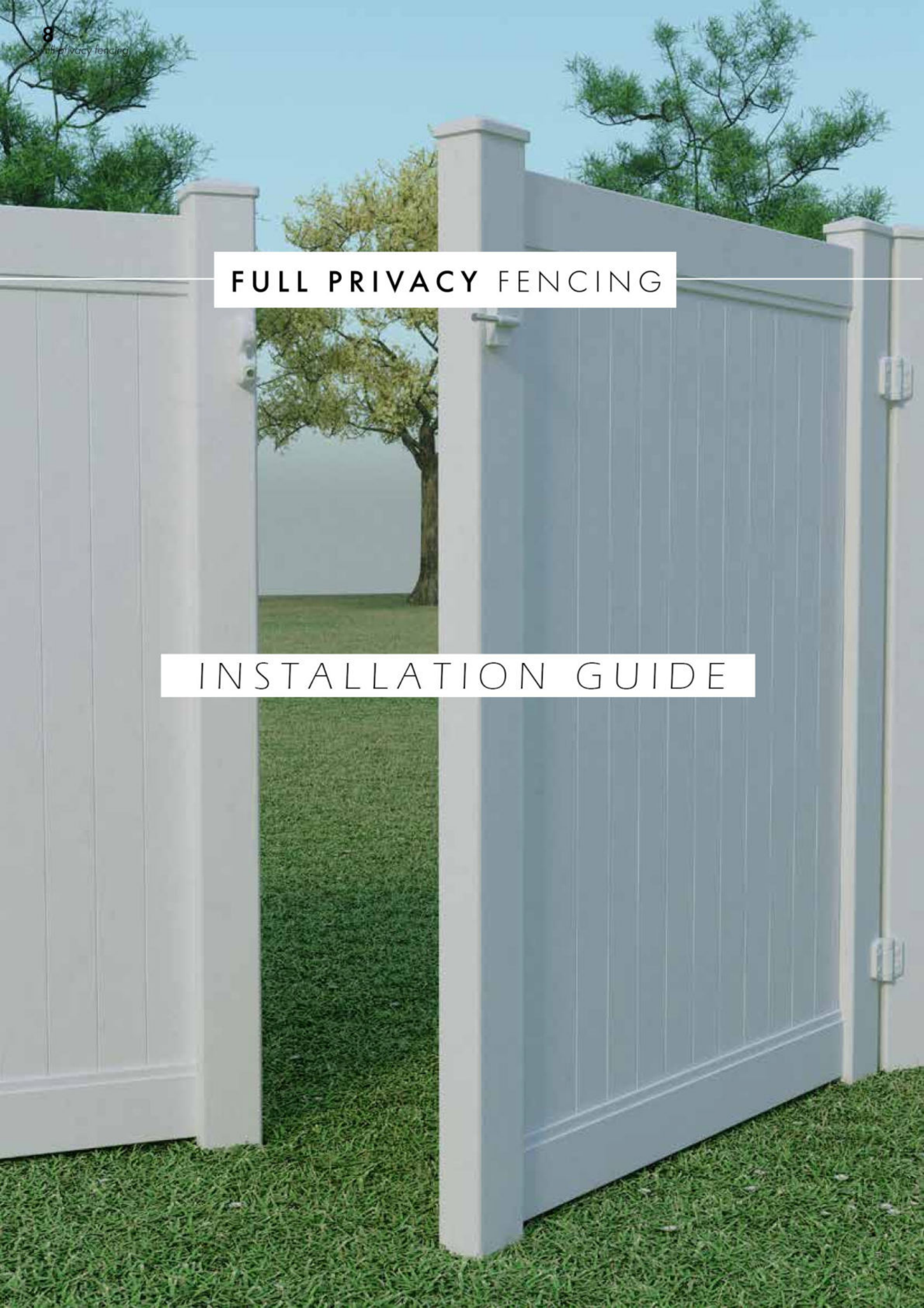
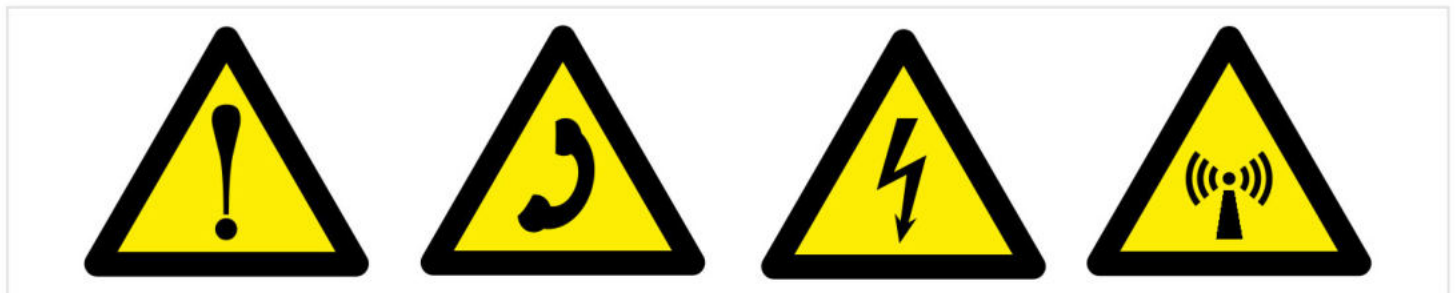
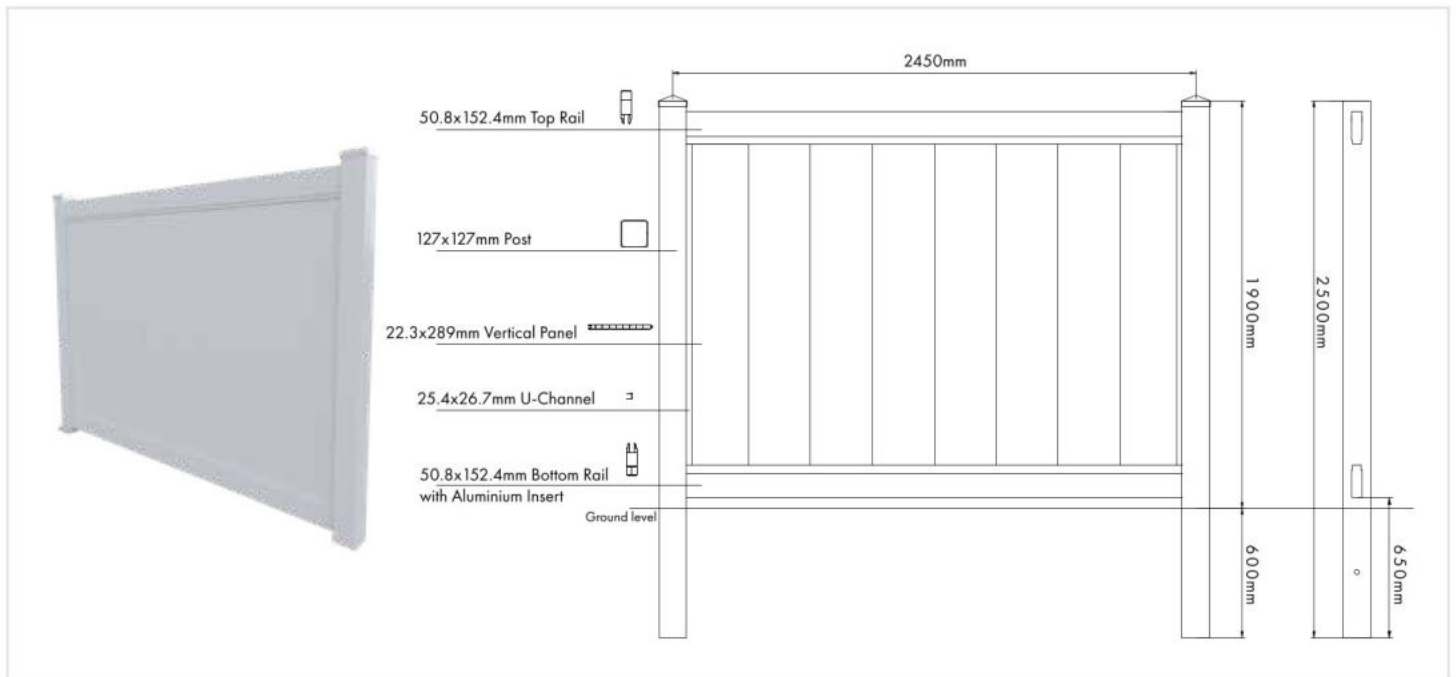


FULL PRIVACY FENCING

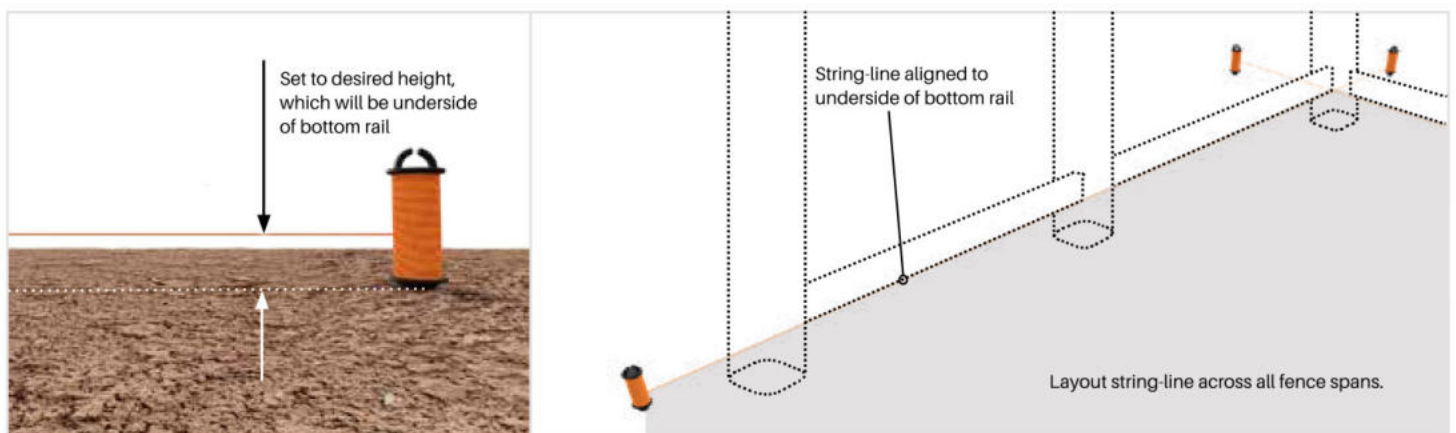
INSTALLATION GUIDE



FULL PRIVACY FENCING INSTALL GUIDE

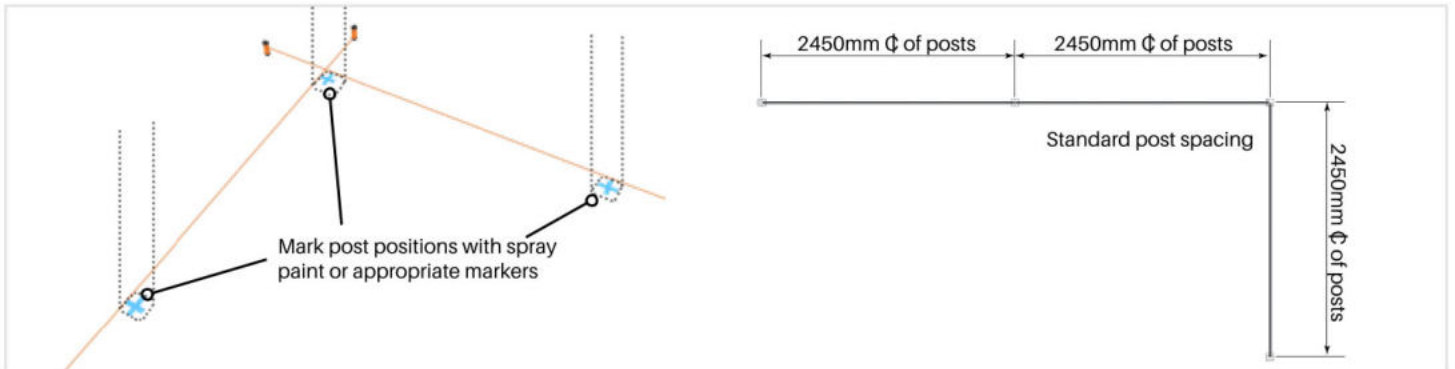


- 1 Check for any utilities in ground before digging as well as observing property boundaries and council regulations where appropriate.

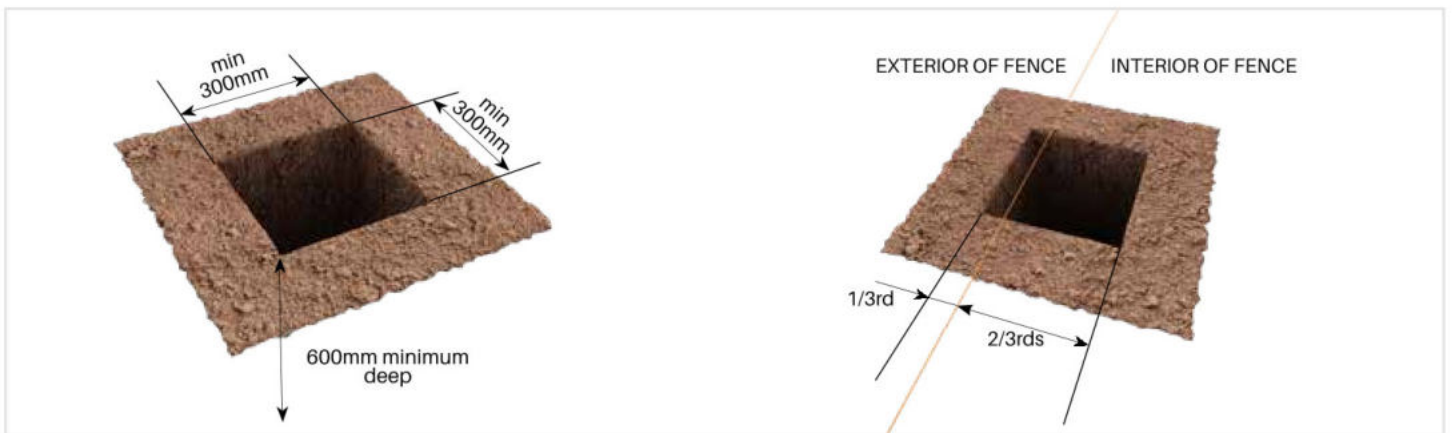


- 2 Assess layout of fence and set out string line around outside perimeter of fence. The string must be positioned along the outside perimeter of your posts. Ensure allowance made for digging post holes and concreting within your property boundaries and to avoid utility lines. Set the height of the string-line to the desired height of the underside of the bottom fence rail. A gap under the bottom rail of 50mm is standard, however adjust as needed for each specific install location.

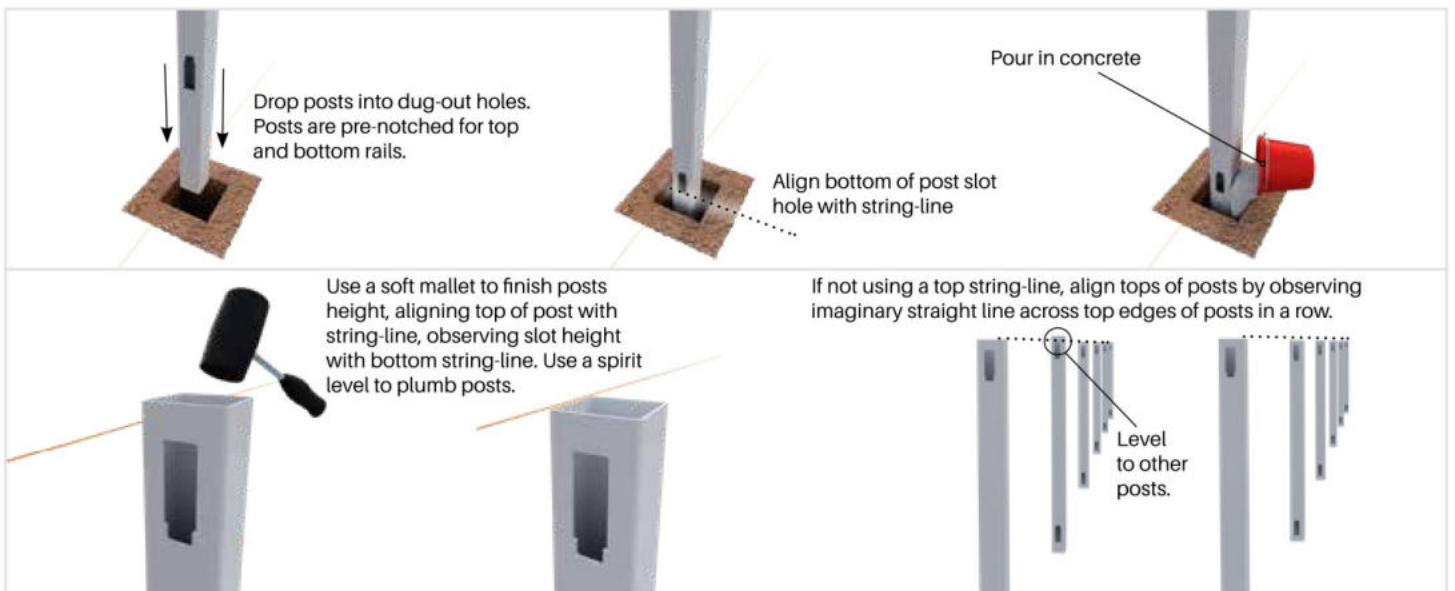
FULL PRIVACY FENCING INSTALL GUIDE



- 3 Mark post to post centres using appropriate markings such as spray paint or stakes. Standard fence panel post centres are at 2450mm. If using shorter spans, space posts appropriately. Posts are 127x127mm square.



4

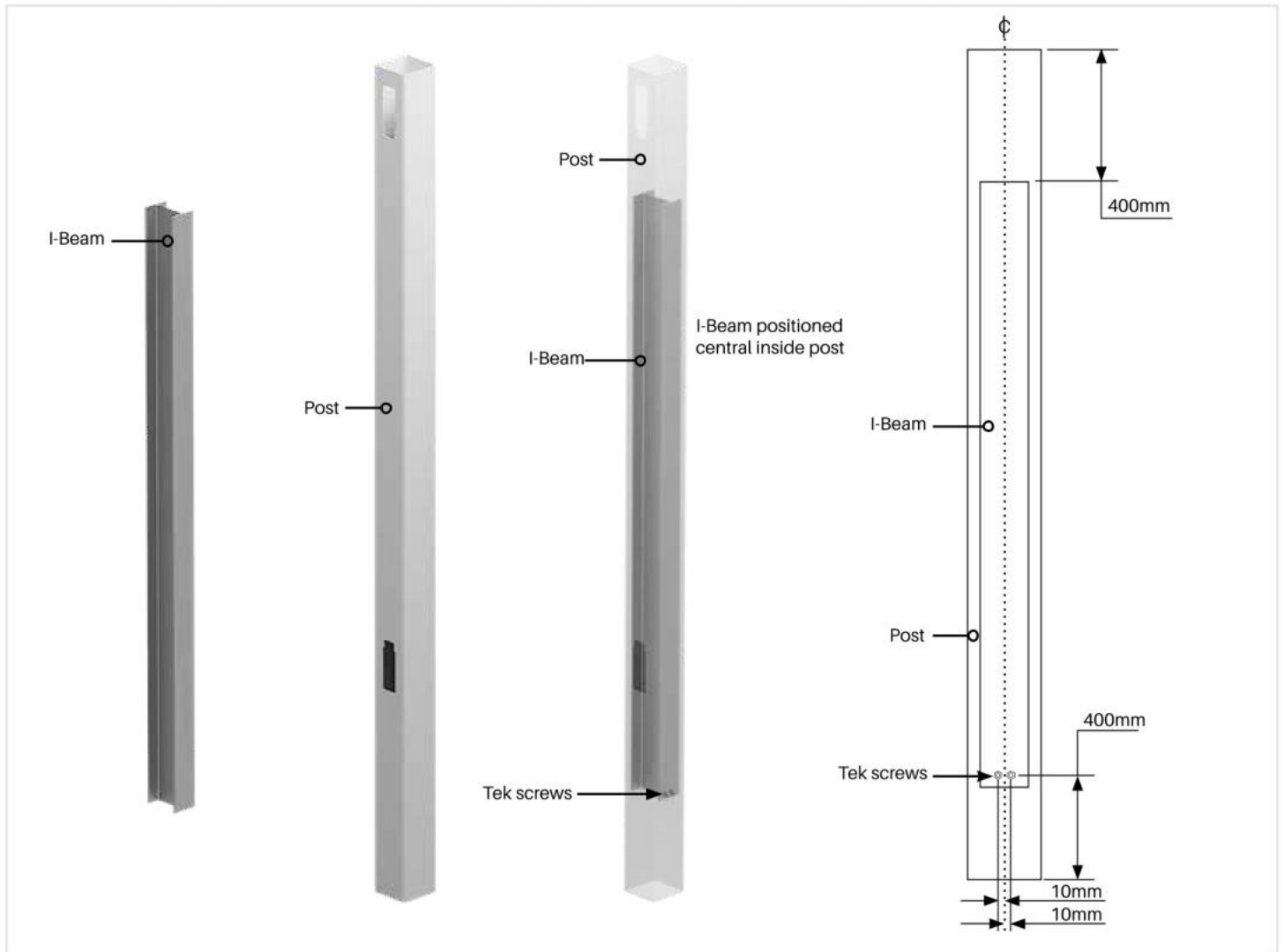


- 5 For FENCE POSTS:
Set posts into ground ensuring appropriate gap at bottom (refer Step 2). Pour in concrete.
For end posts use 1 way post, for in-line posts use 2 way and for corners use 90° posts.
Use a soft mallet with a wooden block on the top of the fence posts to drive the post into the wet concrete to the desired height, aligning with both top and bottom string lines. If not using top string line, assess height of posts in a line by eye (illustrate).
Check posts plumb using a spirit level and adjust as necessary.
Allow concrete to set before installing panels.

- 6 For GATE POSTS ONLY:
Gate posts sold with aluminium inserts for rigidity. Use gate posts for both hinge and latch sides of gate.
Pay attention to orientation of slots on post, ensuring rail slots face away from the gate opening.
Plumb using a spirit level and adjust height and angle as necessary before concrete cures.

FULL PRIVACY FENCING INSTALL GUIDE

OPTIONAL EXTRA - ALUMINIUM INTERNAL STIFFENER I-BEAM FOR AREAS REQUIRING WIND LOAD CONSIDERATION



- If wind load consideration is not required, ignore this step.

For a fence panel at 2450 centre to centre and 1800mm high, a post stiffener will allow up to N4/C2 (AS4055 classification).

If stiffener I-Beam installed ensure I-Beam is positioned 400mm down from top of post and remains straight when installed.

Ensure I-Beam does not lean to one side.

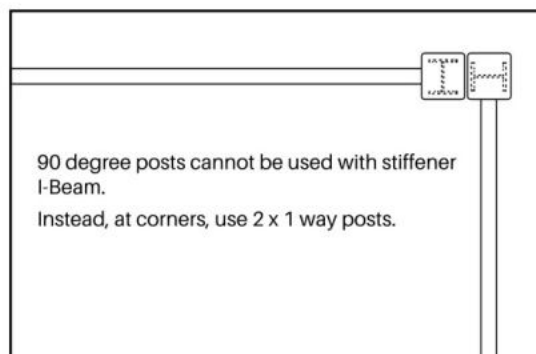
Secure stiffener I-Beam to post using 2 x tek screws offset 10mm on either side from centre of post and approx 400mm from bottom of post.

Before screwing off ensure I-Beam is central in post. (consider using internal timber chocks or similar to ensure I-Beam remains centre and straight - chocks and fixing screws not included).

NOTE: 90 degree slotted post cannot be used with Stiffener I-beam. Use 2x offset 1 way posts instead.

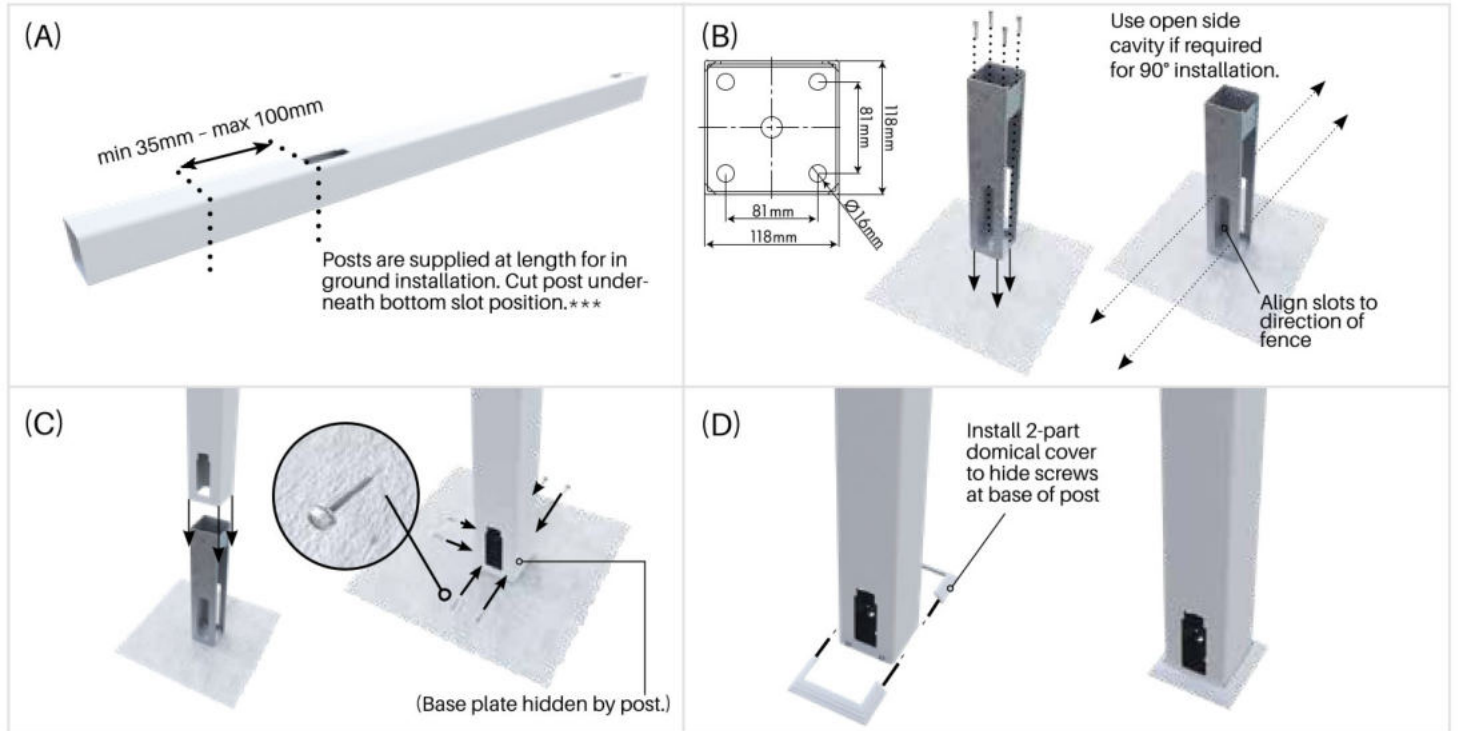
GATE POSTS: Gate posts sold with aluminium inserts for rigidity. Use gate posts for both hinge and latch sides of gate.

Pay attention to orientation of slots on post, ensuring rail slots face away from the gate opening.



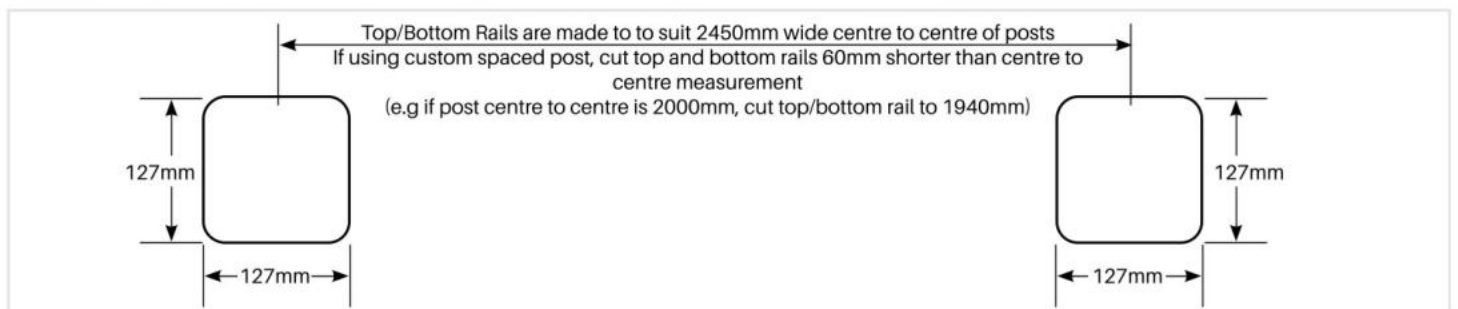
FULL PRIVACY FENCING INSTALL GUIDE

THIS SECTION RELATES TO BASE PLATED POSTS



** BASE PLATED POSTS ONLY:

- (A) Cut posts to required length - cut post underneath bottom slot position. ***Cut under slot from minimum 35mm up to 100mm maximum. 35mm under the slot hole equates to underside of bottom rail being 35mm from ground level.
- (B) Affix base plates to ground using appropriate fixtures (not supplied), 4 x fixings required per base plate. Base plate hole diameters are 16mm. Ensure correct orientation of base plate to line up slots with fence direction.
- (C) Slide post over base plate and screw to base plate using appropriate tek screws (not supplied) at approximately 15mm from ground level. Ensure tek screws engage into the base plates. Use 6 screws total, 2 on each side, avoiding the open side cavity of base plate.
- (D) Install 2-part domical cover at bottom of post to hide screws.
- ***Domical cover height is 42mm. If domical cover required, minimum distance under slot must be 45mm.



- 7 Top and bottom rails are supplied suited to 2450mm centre to centre post spacing.
If using custom spacing, top and bottom rails require width adjustment. Measure your installed posts from centre to centre. The top and bottom rail need to be width adjusted to the centre to centre measurement minus 60mm. For cutting of top and bottom rail, use a fine tooth blade to reduce chance of chipping (circular saws may leave rough edges).

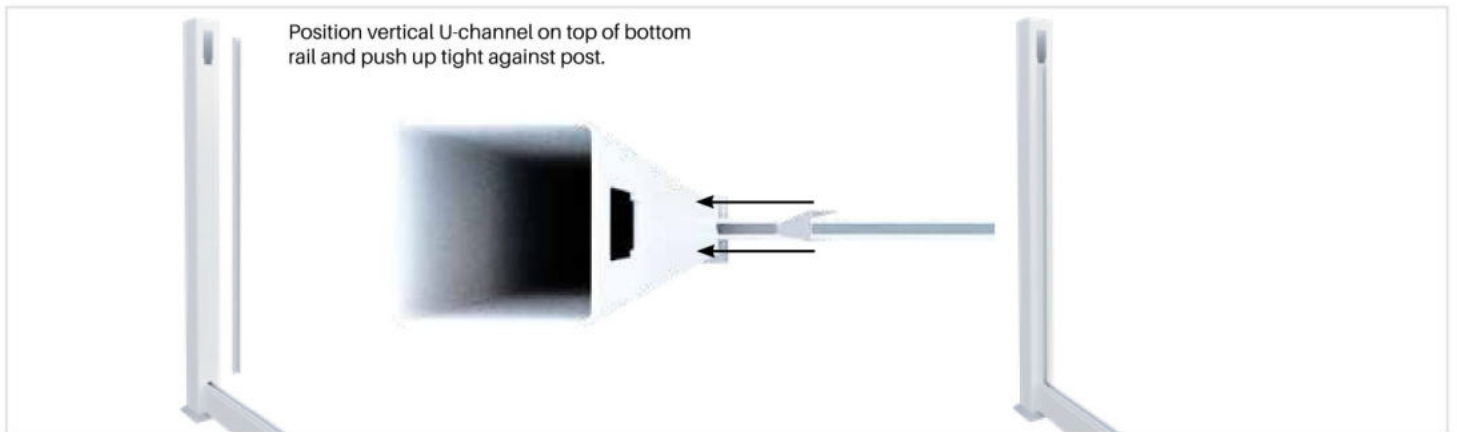


- 8 Slide bottom rail with aluminium insert into first post as far as possible and lever into adjacent post. Slide back bottom rail to ensure notches have passed into adjacent post. The bottom rail should recess into each post approx 33-35mm.

FULL PRIVACY FENCING INSTALL GUIDE



- If using custom length rails, either re-notch using notching tool or secure into position on the inside of rail/inside of post – refer to diagram.

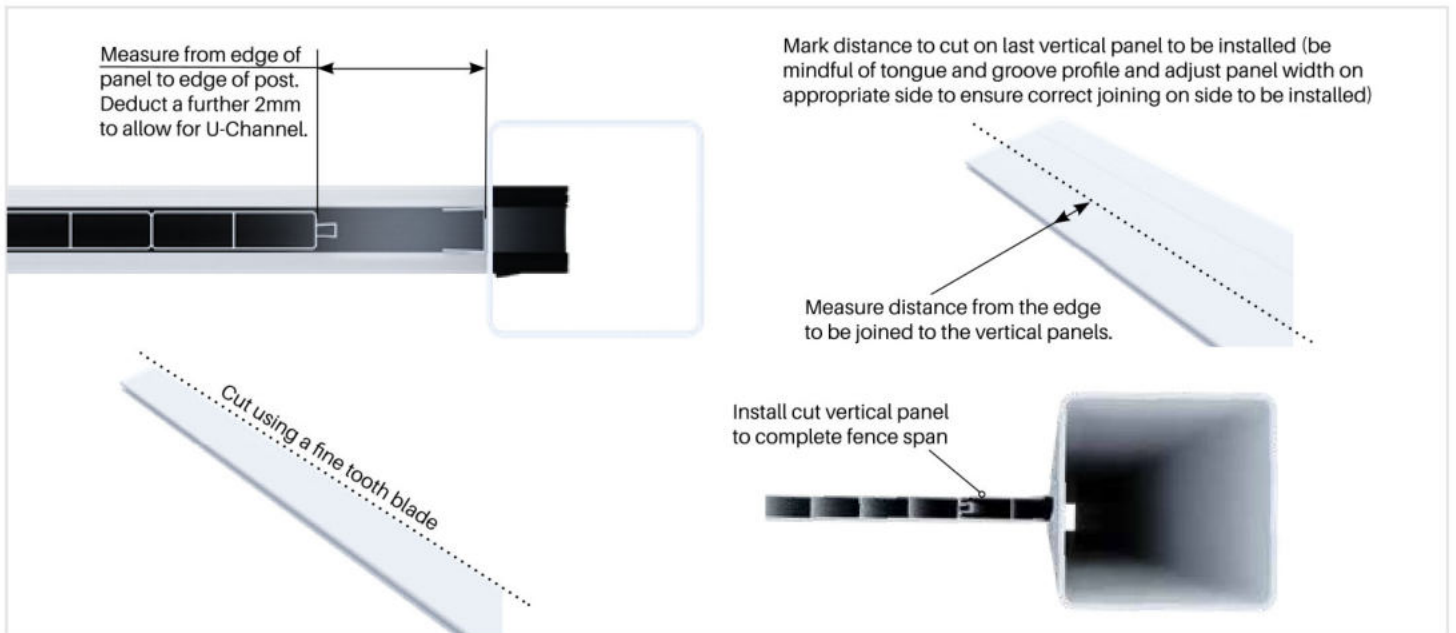


- 9 Position vertical U-channel on top of bottom rail and push up tight against post. Repeat step on all posts, where fence panels are to be installed. U channel will be held against post both sides once vertical panels installed (no fixing required).
TIP: put a dab of silicone between post and U-channel rear wall



- 10 Starting at the vertical U channel on one side, insert vertical panels into bottom rail and lever into position. Repeat process towards the next post. If using a custom length span, the last vertical panel will required cutting to size. Refer next step.

FULL PRIVACY FENCING INSTALL GUIDE



- 11 The last vertical panel in the span may need cutting to fit. Mark distance to cut on last vertical panel to be installed (be mindful of tongue and groove profile and adjust panel width on appropriate side to ensure correct joining on side to be installed) and cut using a fine tooth blade. Follow manufacturer's instructions for safe use of saw.



- 12 Install top rail over vertical panels and simultaneously push top rail as far as possible into one post and then slide back into adjacent post. Standard length top rails are self securing using the pre-notched tongues. If using custom lengths, re-notch the tongues with notching tool (sold separately) or secure top rail in place on post using appropriate screws. Note: The top rail should recess into each post approx 33-35mm.



- 13 Repeat process for remaining posts. Apply silicone to inner of top caps and press on to each post to finish.

FULL PRIVACY GATES LAYOUT INFO

LAYOUT INFORMATION FOR PEDESTRIAN GATES
APPLIES TO FULL PRIVACY, COMBO & VERTICAL PALING GATES

1800mm high full privacy gate must use a latch mechanism that is operable from both sides

Hardware guide —

LATCH OPTIONS

D&D Lokk Latch Deluxe

HINGE OPTIONS

D&D Heavy Duty TruClose hinges

PLAN VIEW OF GATE:

